

Oakden Barrel Fountain 2810268

Please read these assembly and care instructions carefully, and observe the safety directions. Keep these details in a safe place for future reference.

COMPONENT LIST

A Pitcher Pump	E Lower Board
B Long Water Tube	F Short Water Tube
C Upper Board	G Pump
D Upper Barrel	H Lower Barrel

ASSEMBLY INSTRUCTIONS

1. Connect the short water tube (F) to the inlet nozzle under the upper barrel (D), then feed the short water tube (F) through the small hole in the lower board (E). Attach the upper barrel (D) to the lower board (E), by matching the blocks on the upper barrel (D) with the slots on the centre hole of the lower board (E) and twisting clockwise to lock together.

2. Place the lower barrel (H) on a flat, level surface. Attach the bottom of the short water tube (F) to the outlet nozzle on pump (G), then place the pump (G) in the bottom of the lower barrel (H). Note: Be sure to route the power cord of pump (G) out through the notch on lower board (E).

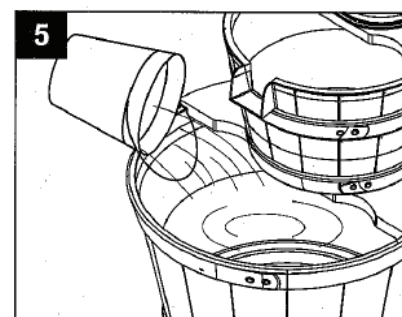
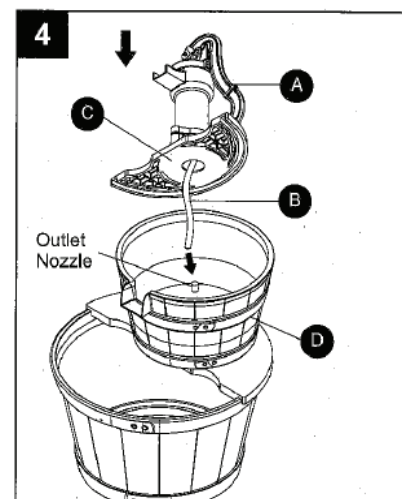
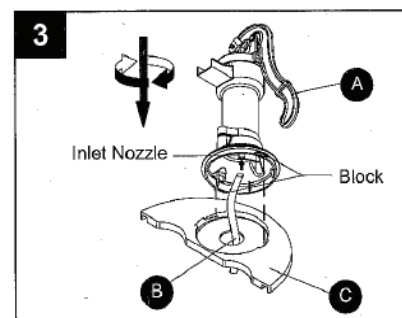
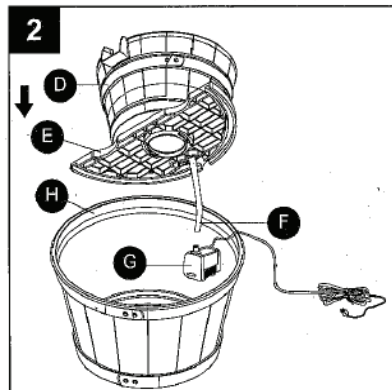
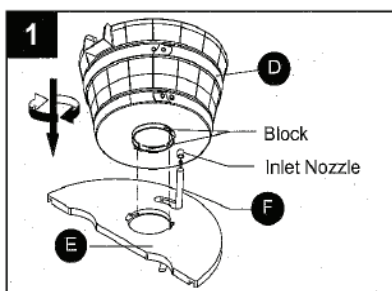
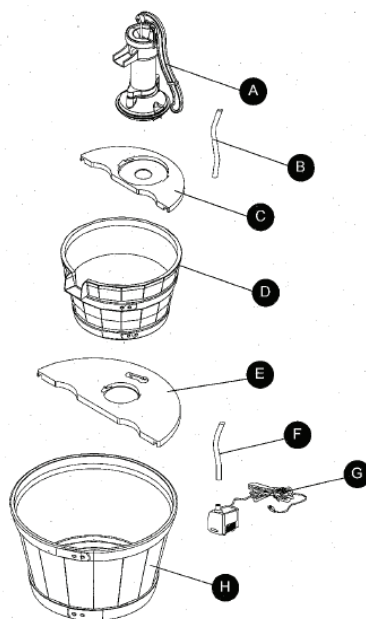
Fit the groove on the bottom of the lower board (E) onto the edge of the lower barrel (H) to attach the two assemblies.

3. Connect the long water tube (B) to the inlet nozzle inside the pitcher pump (A), then feed the long water tube (B) through the hole in upper board (C). Attach pitcher pump (A) onto upper board (C) by matching the blocks on pitcher pump (A) with the slots on the hole of the upper board (C), and twist the pitcher pump (A) clockwise to lock connection.

4. Fit the groove on the bottom of the upper board (C) onto the edge of the upper barrel (D) to attach the two assemblies. Then, connect the long water tube (B) to the outlet nozzle on the upper barrel (D).

5. Fill the item with enough clean water, to ensure the pump (G) is fully submerged. Then, connect the plug to your power outlet.

Note: Adjust the flow of the water by rotating the front screen of the motor. Do not adjust below 1/3 the full flow rate.



Need a hand?

Check out Melissa King's step-by-step assembly video for this fountain

Scan me with your Smart Phone

or visit www.northcotepottery.com/watermagic

WARNING - IMPORTANT NOTICE

- » Always ensure the pump is fully submersed when in use. Never allow the pump to run dry, as this will cause damage and invalidate the warranty. The pump is not intended for commercial use.
- » Change and top-up the water on a regular basis. Always use clean fresh water, do not use heavily chlorinated water, heated liquids or water with high PH levels.
- » If fountain is not in use for an extended period of time, unplug the pump, and drain the fountain completely.
- » Always disconnect from power before commencing any maintenance or cleaning of the pump/fountain.
- » Do not operate if the pump, cable or transformer is damaged in any way. If in doubt about any electrical connections, please consult a qualified electrician.
- » Do not exceed the voltage shown on the pump. Only use the transformer provided, and ensure that it is plugged into a power socket that is in a sheltered area out of the rain. Do not allow the plug or power socket to get wet.
- » Don't place the fountain in a location where any water splashing or spills will reach any other electrical equipment or cause damage. Do not attempt to move the fountain when filled with water.
- » Disconnect the power cord from the outlet by holding the plug, not by pulling the cord. Do not lift the pump by the cord.
- » Always supervise children and pets around the fountain.

WINTER CARE

During winter, never allow ice to form in the fountain, as it may cause damage. Do not operate below 5°C. Drain the fountain completely and store away from freezing temperatures and protect from frost.

CLEANING THE PUMP

To clean the pump, first disconnect it from the power supply and remove it from the water feature, then:

- a) Remove the inlet cover from the front of the pump, and gently grip the impeller to pull out the rotor assembly.
- b) Clean the rotor and rotor housing with water, then dry with paper towel.
- c) Reassemble the parts and store the pump in a dry area.

TROUBLESHOOTING

If water doesn't flow evenly over the fountain:

- a) Ensure the water feature is sitting on level ground to ensure even water flow.
- b) Adjust the pump's flow control switch. Set the flow control to maximum (+) before operating. Once flow is established the switch can be adjusted downward to the desired level.

If the pump fails to operate, check the following:

- a) Check that power is correctly connected, and that the pump is fully submerged.
- b) Check the pump and tubing for any obstructions or kinks.
- c) If the pump operates, and there are no obstructions/kinks in the tubing, and the pump is fully submerged, but there is no flow, remove the tubing and clean the inside of the tubing. Then place the pump back into the water and turn it on, and once the water begins to flow, re-attach the tubing.
- d) Remove the cover with the flow adjuster on it, and gently lever off the inner cover to reveal the pump impeller. Gently turn the rotor to check that it is not broken or jammed.

If the pump runs with slower water circulation, check the following:

- a) The flow control switch on the body of the pump. Adjust if necessary.
- b) Ensure the pump is completely submersed.

If any abnormal sound is heard during operation, turn off the power supply and check the rotor assembly as follows:

- a) Remove the pump cover and rotor plate from the front.
- b) Grip the impeller and gently take out the rotor assembly.
- c) Rinse the rotor assembly and housing with clean water in order to remove any debris.
- d) If any breakage or surface damage is found on the rotor assembly, please contact your supplier.

We hope you continue to enjoy your water feature for many years.

Over time the finish may gradually mellow in colour, this is part of the natural weathering process.